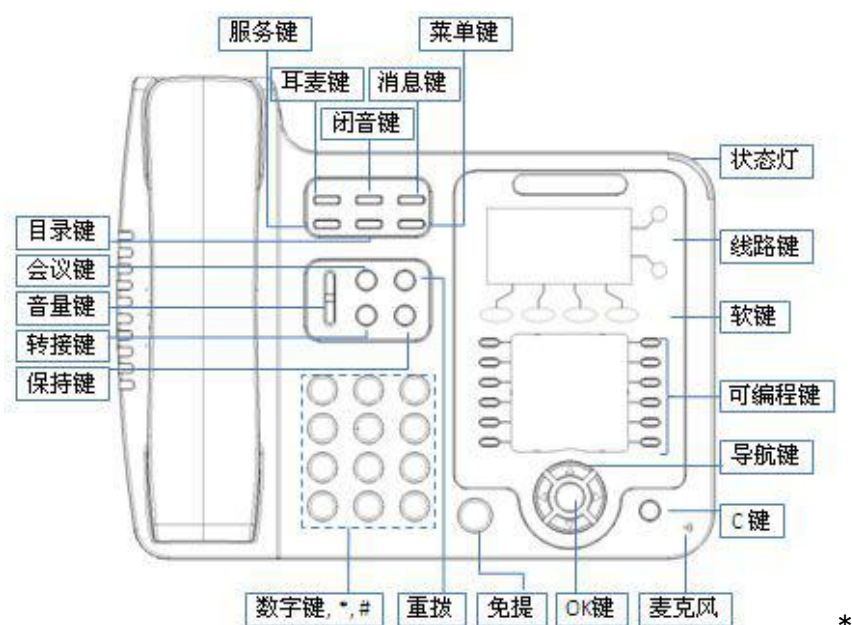


ES/GS/WS 3xx IP 话机快速操作指南



LEDs

表 1 状态灯

LED 灯状态	描述
红色闪烁	对应线路有来电正在呼入
红色常亮	对应线路摘机且正在进入正常通话状态
黄绿色闪烁	对应线路通话保持
黄绿色常亮	正在通话

表 2 可编程键

LED 灯状态	描述
红色常亮	远程线路号码正忙 (启用 BLF)
黄绿色常亮	远程线路号码空闲 (启用 BLF)
没有亮灯	BLF 没有启用

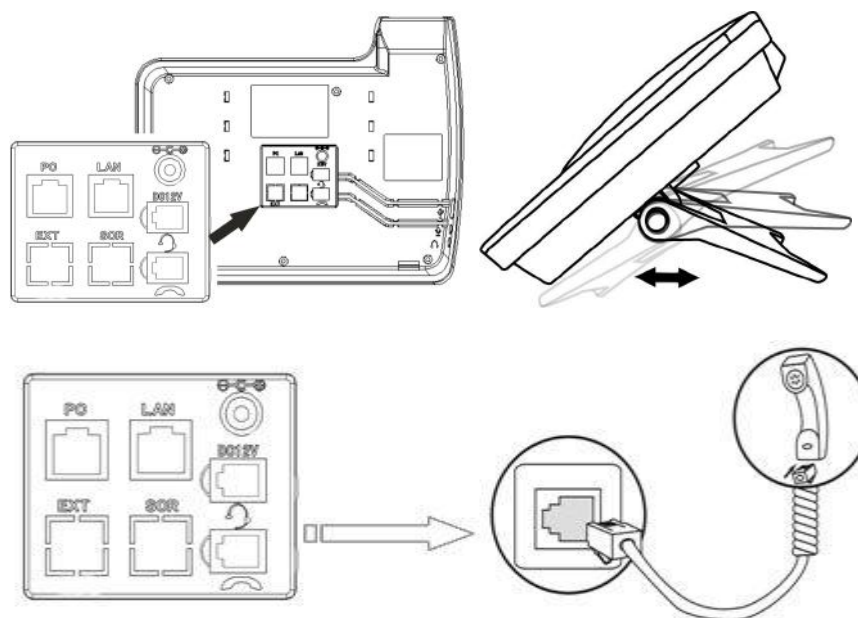
表 3 其他处于红色状态

对应键	描述
耳麦、闭音、免提	对应功能正启用

*ES\GS\WS 其他 3xx 型号为 132X64

ES330 有 3 个 Voip 账号和线路键。

安装支架，话机接入



- PC 口接电脑，LAN 口接外网，只有 GSxx 话机的两个网口为千兆，EXT 接扩展台，右上接电源，右中接 RJ11 耳麦，右下接话机手柄。
- WS 3XX 的 LAN 网口是禁止使用，插上有可能造成环路。
- 话机正面左侧 USB 接口仅提供 DC 5V 供电作用，暂无其他用途。

网络设置

- 步骤为：按话机上的菜单键 MENU (或 OK) => 系统设置=> 高级设置=> 输入高级设置密码 (默认为空) => 网络=> LAN 设置=> 网络类型=> 确定。
有以下选项：静态 IP、拨号 PPPoE、DHCP 自动获取
选择静态 IP 后按导航键-下，看到 IP 地址设置，可对 IP 及网关等网络信息进行设置，其中“.”请用键“*”输入，修改完后确定。
选择 PPPoE 输入账号和密码后按确定。
选择 DHCP 不用设置 IP。

* WS 3xx 周边环境如果有无线 AP，在系统设置->高级设置->WIFI 设置->WIFI 列表，选择一个热点，在里面设置 SSID 密码。(没有密码不用设置)
按 SSID=> key=>输入密码，如果无线的加密类型 Security type 不同，可按 OK 选择。设置完之后按提交。

注册账号

- 按话机上的菜单键 MENU (或 OK) => 系统设置=> 高级设置=> 输入高级设置密码 (默认为空) => Sip=> 账号 SIP 设置 => 账号 1，之后分别配置以下参数：启用、账号类型、账号、密码、主 SIP 域名
- 主 SIP 域名：输入 SIP 服务器 IP (“.”请用键“*”输入，注意 IP 话机与 SIP 服务器间网络必须可达)，之后选取提交，再按下 OK 键，即可完成 SIP 账户的添加。

发起呼叫

您可以摘机或按下耳麦键或免提键来进行一个呼叫。

- 直接呼叫：直接拨打号码，然后按#键或按发送软键；
- 重拨：按重拨键或 Redial 软键以拨打最近一个拨出的号码；
- 从呼叫记录进行呼叫：按菜单键，选择“呼叫记录”，再选择“未接来电”、“已接来电”或“已拨电话”列表来选择一个号码，再按呼叫软键进行呼叫。

在话机待机状态下，按下导航键也可快速进入呼叫记录：

导航键-左为“已接电话”，导航键-右为“已拨电话”，导航键-下为“未接电话”，导航键-上为“调音量”，“OK”键为确认键，旁边的“C”键为取消键。

*更多的详细内容以及话机配置信息请参考本话机的用户手册。您也可以访问话机的 Web 页面来进行更详细的参数配置，在浏览器中输入 IP 话机的地址，输入话机的用户名、密码 (默认均为 root)，即可进入了 IP 话机的网页配置界面。



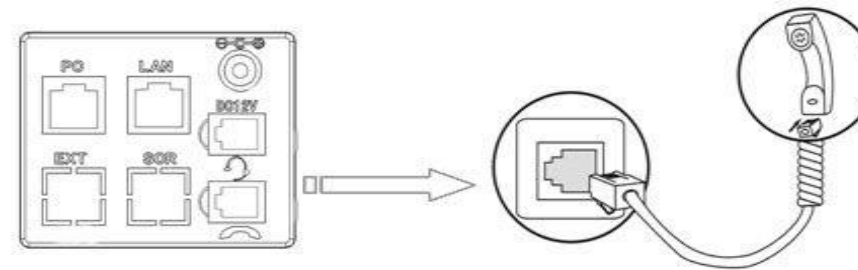
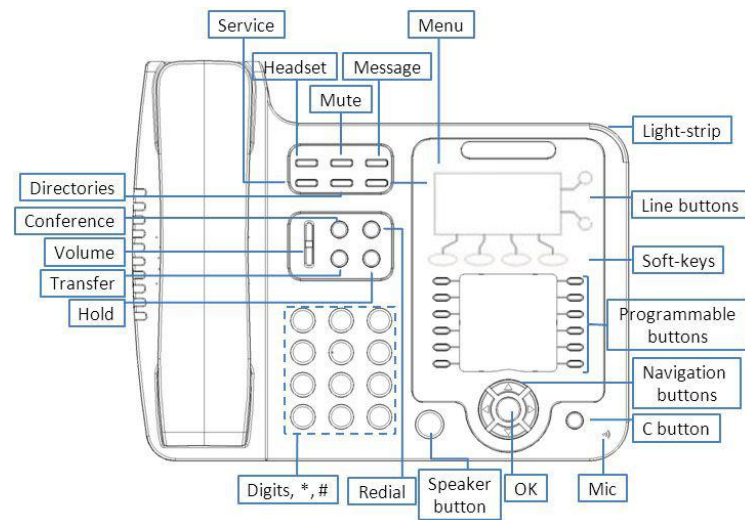
广州市亿景通信技术有限公司

地址：广州市天河区东圃镇黄村路 51 号粤安工业园 C 栋 4 楼

网址：http://www.escene.cn

客户服务：400 090 5818

ES/GS/WS 3xx IP Phone Quick Guide



- PC port to PC, LAN port access outside the network, EXT Socket Extension units, Upper right to power, the right of access RJ11 headset, the lower right of access a headset.
- WS 3XX of the LAN Ethernet port is prohibited to use, plug this interface may cause the loop.
- The USB port in the phone of left side, only support DC 5V power offer.

Username: Type your SIP account,
User Pwd: Type your SIP password,

SIP1: Type the IP address of your SIP server (you can type "." by "*" button, you must confirm the connection between the phone and SIP server), And then select Submit changes, and press OK button to submit the changes.

Placing a Call

You can pick up the handset or press **Headset/Speaker** button to place a call.

- **Dial directly:** Dial number directly, then press # button or Send soft-key (it will call from the first available line);
- **Redial:** Press **Redial** button/soft-key to dial the latest number;
- **Dial from Call history:** Press **Menu** button, select "Call history" and select one of "Missed calls", "Received calls" and "Dialed numbers" lists to dial by pressing **Dial** soft-key.

You can open Call history in standby status of phone by pressing corresponding Navigation-buttons, for example, **Left** button: "Received Calls" list; **Right** button: "Dialed Numbers" list; **Down** button: "Missed Calls" list. **UP** button: "tone volume"; **OK** button to confirm the key; next to the "C" key for the Cancel button.

***This document introduces normal function operation of IP phones only. For details (operation and configuration), refer to User Manual. And set details on the web page of phone. In the browser, enter the IP phone's address, enter the phone's user name and password (the default are root), enter the IP phone's web configuration interface.**

*** ES \ DS \ WS other 3xx model 132X64
ES330 has three VoIP accounts and line keys.**



EScene COMMUNICATION CO.,LTD.

Web: <http://www.escene.cn/en>

Address: Floor 4 Building C YueAn Industrial Park No.51 Huangcun Road
Tianhe District Guangzhou China

LEDs

Table 1 Light-strip

LED Status	Description
Red, flashing	There is an incoming call.
Red, steady	Hook-off. enter a usual conversation
Yellow-green, flashing	Holding call.
Yellow-green, steady	Active call.

Table 2 Programmable Buttons

LED Status	Description
Red, steady	Remote line is busy. (BLF enable)
Yellow-green, steady	Remote line is idle. (BLF enable)
Dark	BLF disable.

Table 3 Others in RED

Buttons	Description
Headset, Mute, Speaker	The corresponding function is enabled.

Network Settings

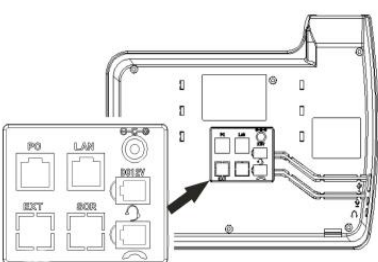
- Steps: Press the menu button on the phone **MENU=> System setting=> Advanced setting=>Enter Advanced Password** (Empty by default) by pressing **OK => Network => click OK** TYPE has the following options: **STATIC**、**PPPOE**、**DHCP** Choose **STATIC** press Navigation key - to the next, see the IP address settings, the IP and gateway settings and other related network information, including "." Use the key "*" entry. Select **PPPoE** username and password to register. Select **DHCP** needn't to setting IP.

*** WS 3xx** if there is wireless AP in surrounding environment, you can choose the **System setting -> WIFI setting-> hot list**, choose a hot in ,set the **SSID** password (no password is not set)

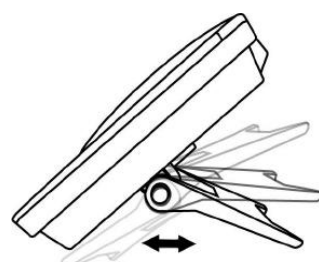
Specific steps: Press **SSID => key => password**, w if the wireless encryption type is different, choose **Security type**, press **OK** to select. After setting, remember to press Submit.

Registered account

- On the phone, press **MENU** button => **System Setting => Advanced Setting=>type Advanced password** (it is idle by default) and press **OK** button=> **SIP=> Accounts SIP =>Account 1**, and then set the parameter as follow: **Enable Account:** Select Enable,



2-1



2-2

2-3