



4x4 Asymmetrical Horn Antenna WB

User Guide

AH90WB-4x4-SMA

AH60WB-4x4-SMA



Installation Video



If you need further assistance, reach out to us on our webpage or on social media.

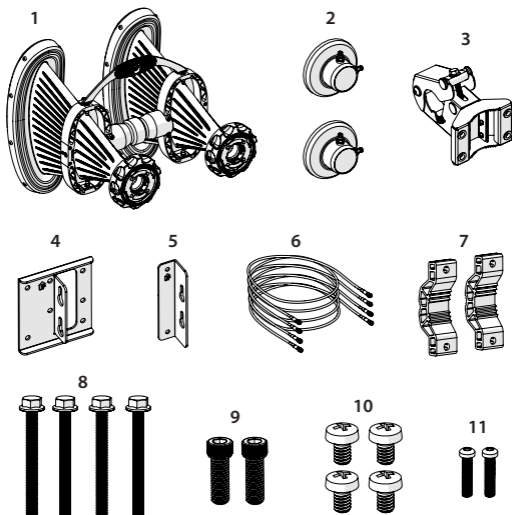
4x4 Aymmetrical Horn WB

Contents

Asymmetrical Horn Antenna WB - English User Guide.....	3
--	---



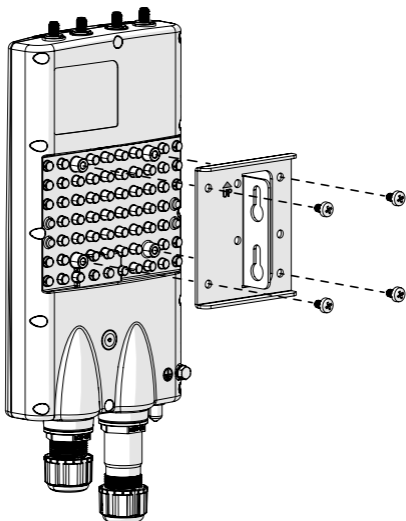
Package Contents



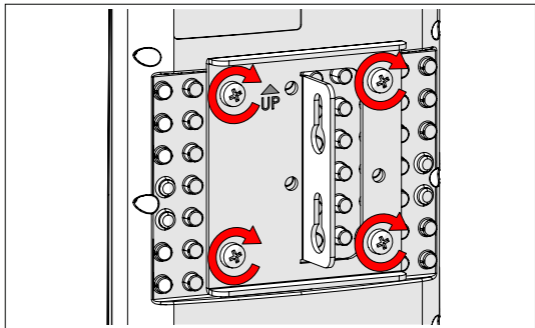
Number	Description	Quantity
1	4x4 AH Body	1x
2	RP-SMA Adapter	2x
3	Mount Bracket	1x
4	Cambium Radio Bracket	2x
5	Mimosa Radio Bracket	1x
6	Pigtails	4x
7	Pole Mount Bracket	2x
8	M8 x 80 mm DIN 6921 Screw	4x
9	M6 x 16 mm DIN 912 Screw	4x
10	M5 x 10 mm DIN 7985 Screw	8x
11	3 x 16 mm Lock Screw	2x

Pre - Installation

Valid when mounting Bracket (part no. 4) for Cambium Radios



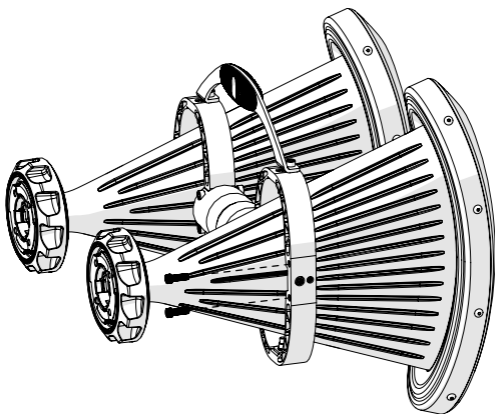
Use Phillips screwdriver when assembling the Radio Bracket.



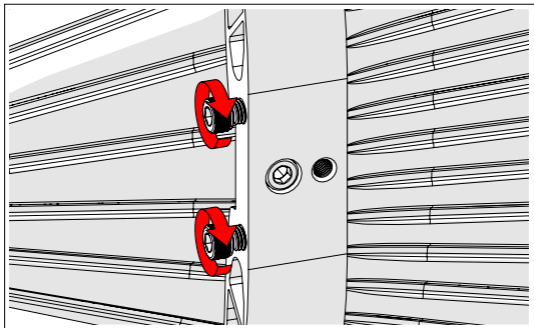
Pre - Installation

Valid when mounting Bracket (part no. 4) for Cambium Radios

The guide shows the radio on the right side but it can be installed on the left side of the antenna as well.

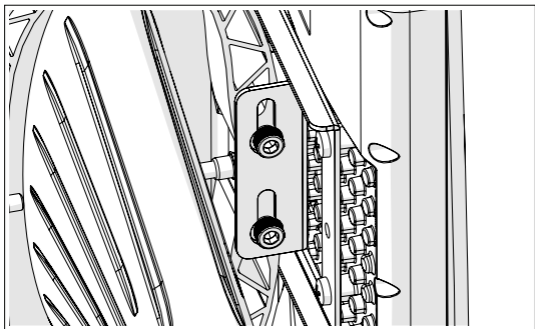
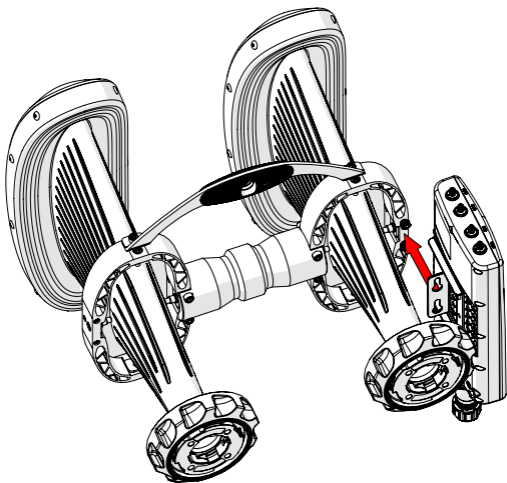


Use 5 mm Hex Key when assembling the Radio Bracket. Do not tighten the screws fully.



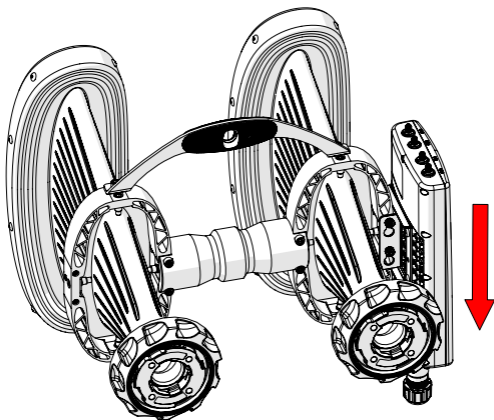
Pre - Installation

Valid when mounting Bracket (part no. 4) for Cambium Radios

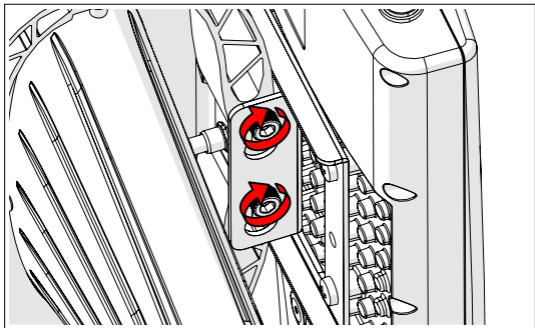


Pre - Installation

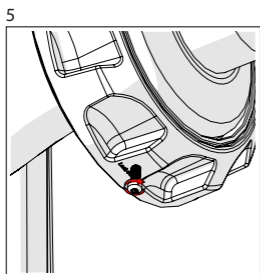
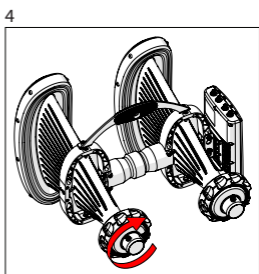
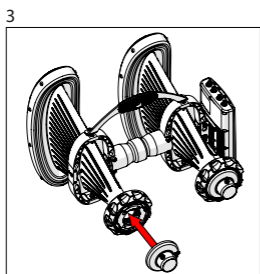
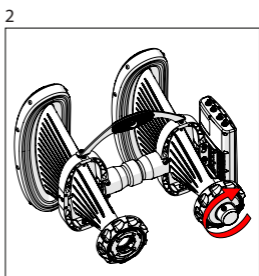
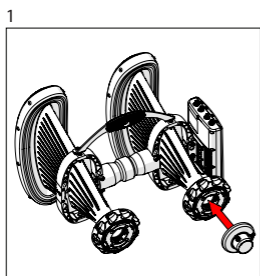
Valid when mounting Bracket (part no. 4) for Cambium Radios



Use 5 mm Hex Key when assembling the Radio Bracket.

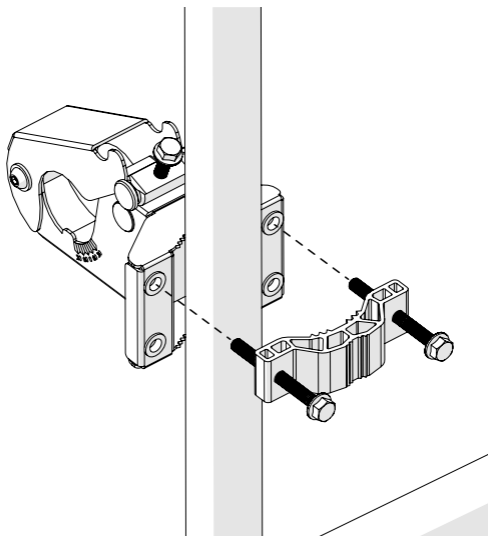


Pre - Installation

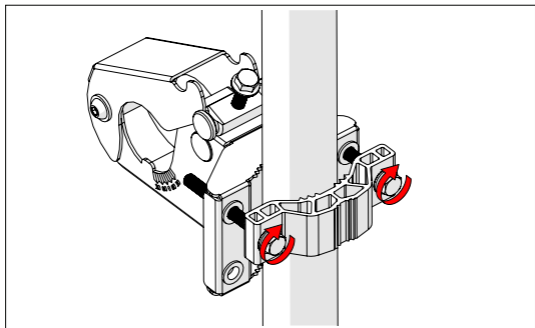


Optional: Install the 3 x 16 mm locking screw. Tighten the locking screw to secure the TwistPort™ lock mechanism.

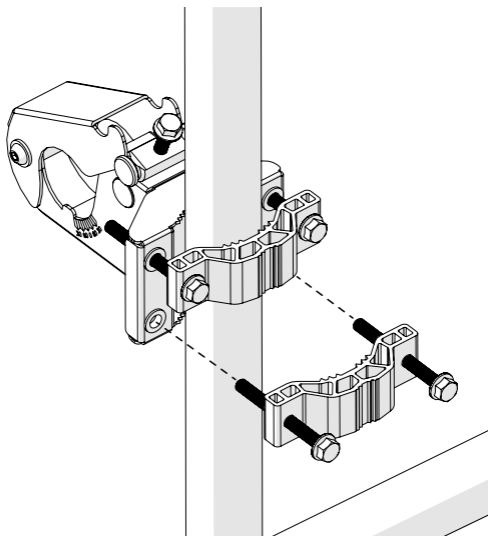
Installation Guide



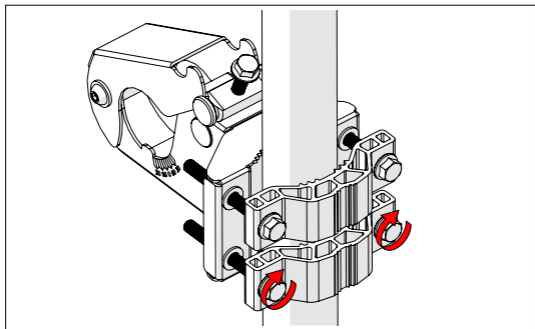
Use 13 mm Ratchet Wrench when assembling the Bracket. Set the azimuth plane.



Installation Guide

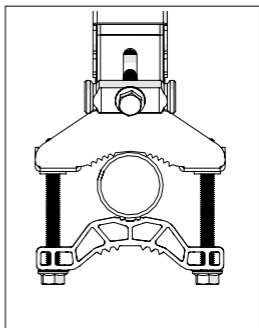
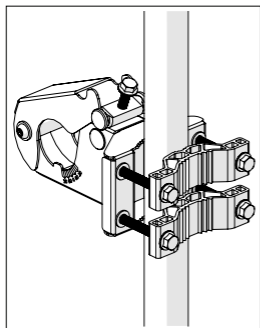


Use 13 mm Ratchet Wrench when assembling the Bracket. Set the azimuth plane.

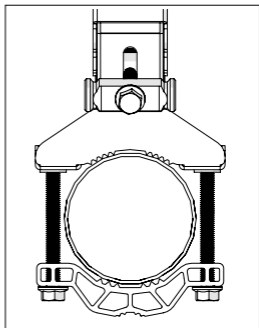
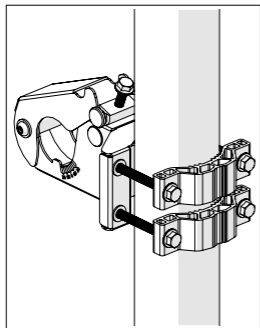


Installation Guide

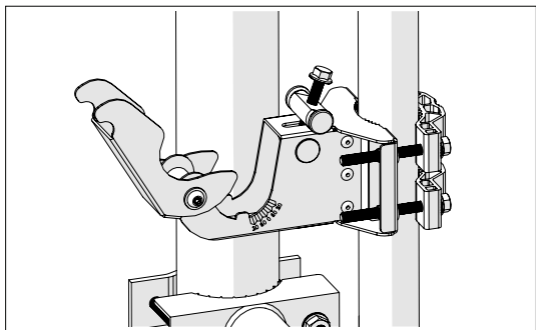
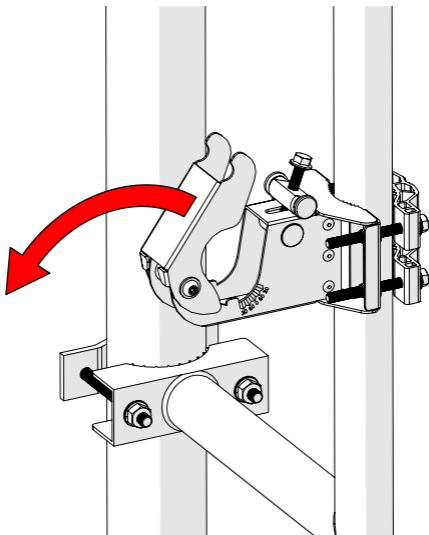
Install the Pole Mount Bracket as shown for pole diameter range **40 - 57 mm**.

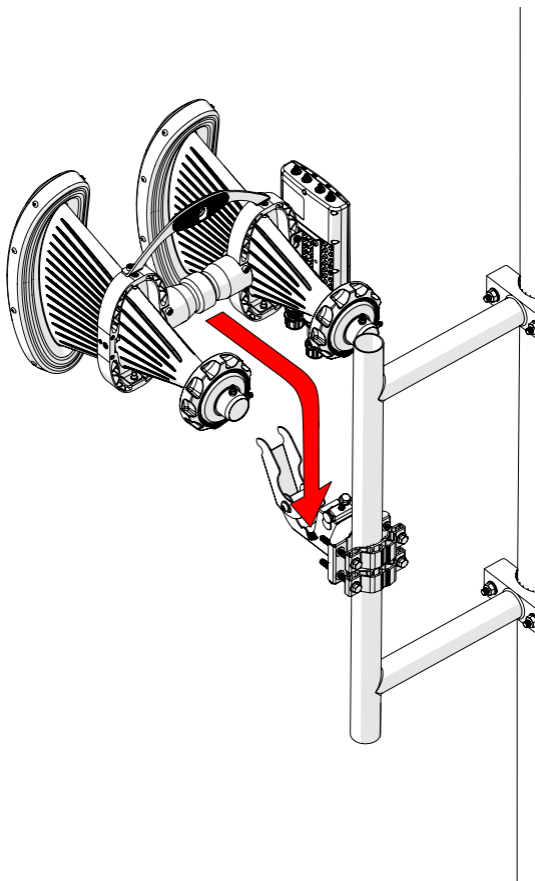


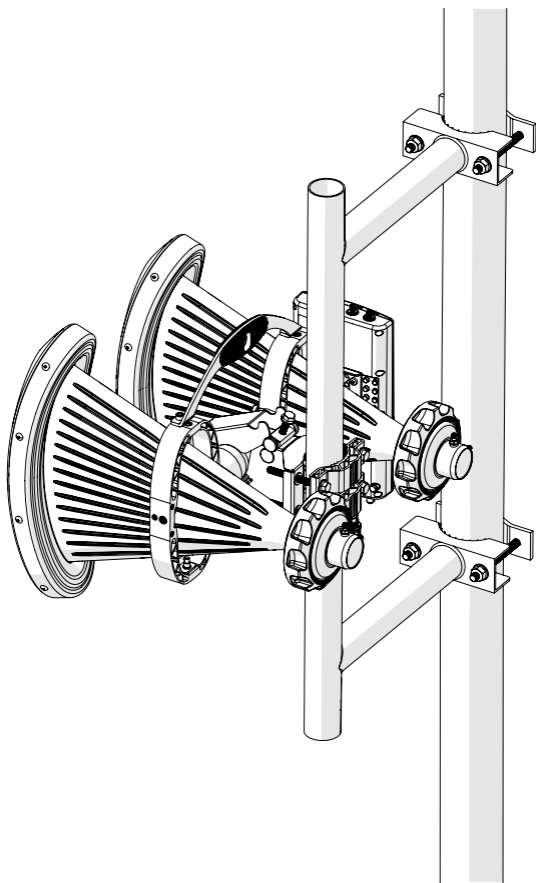
Install the Pole Mount Bracket as shown for pole diameter range **58 - 80 mm**.



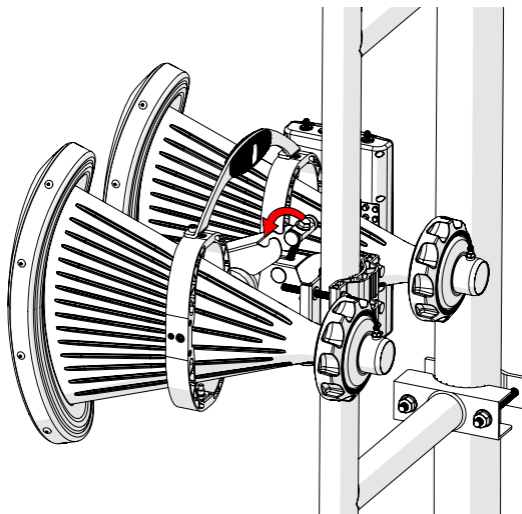
Installation Guide



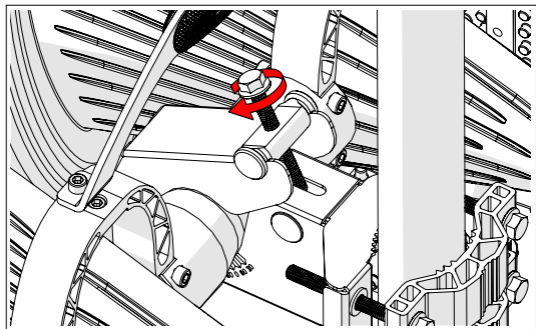




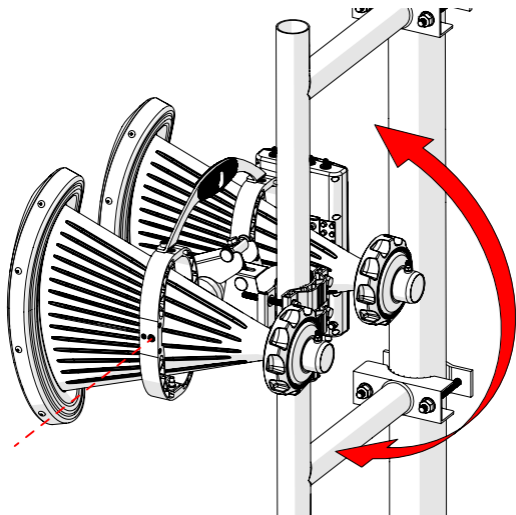
Installation Guide



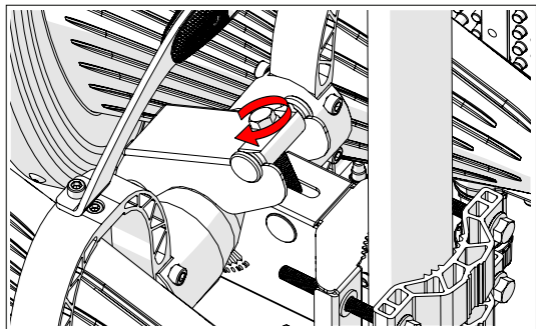
Use 13 mm Ratchet Wrench when tightening the screw. Do not tighten the screw fully.



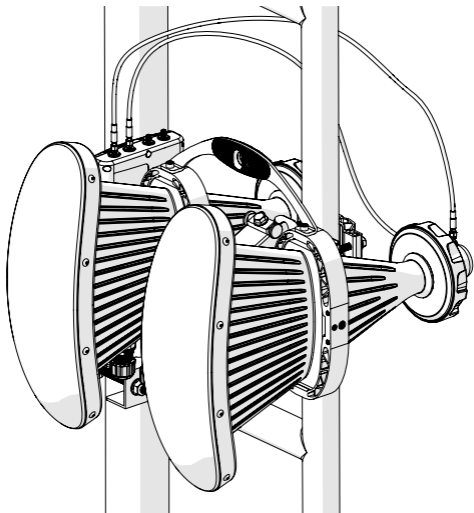
Installation Guide



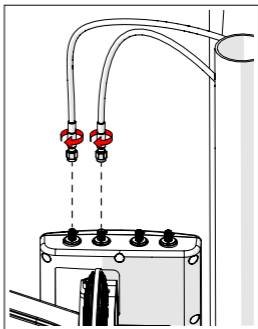
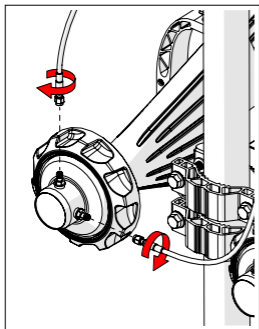
Use 13 mm Ratchet Wrench when tightening the elevation screw.



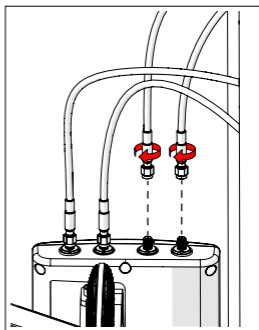
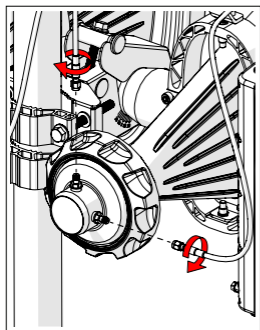
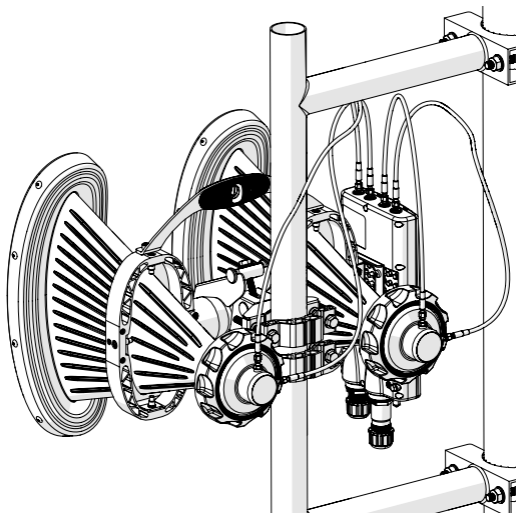
Installation Guide



Install the Pole Mount Bracket as shown for pole diameter range **58 - 80 mm**.



Installation Guide





RF elements® and TwistPort™ are trademarks
of RF elements s.r.o., Slovakia.
All rights of trademark owners reserved.

User Guide Part No. UG-AH60WB-4x4-SMA-v1 Rev 09-2025