



# UltraDish™ 29 WB

User Guide

UD29WB



Installation Video



If you need further assistance, reach out to us on our webpage or on social media.

# UltraDish™ WB

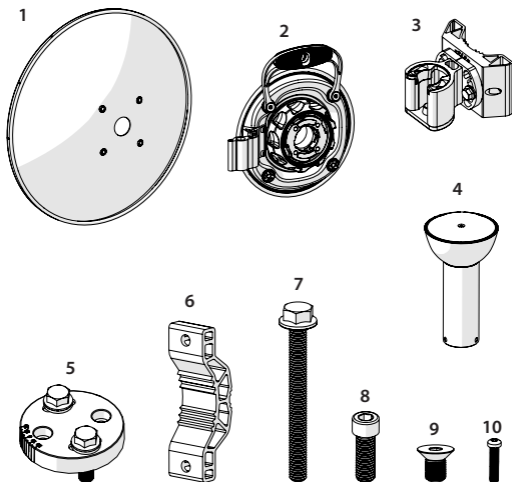
---

## Contents

UltraDish™ 29 WB - English User Guide.....	3
--	---

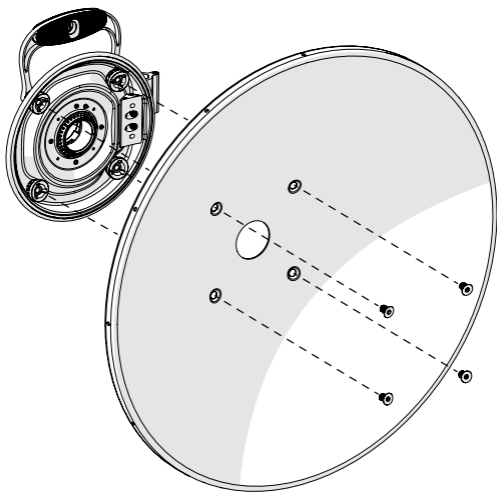


## Package Contents

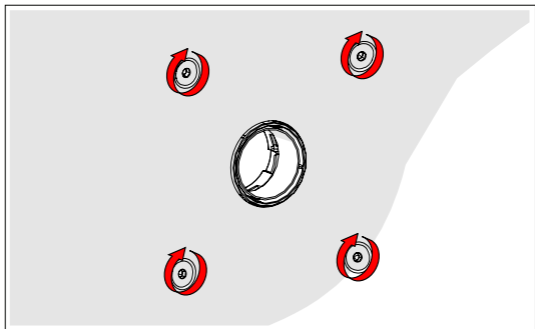


Number	Description	Quantity
1	UltraDish™ 29	1x
2	UltraDish™ Base	1x
3	Bracket Base UBR	1x
4	Subreflector	1x
5	Bracket Ring UBR	1x
6	Pole Mount Bracket	2x
7	M8 x 80 mm DIN 912 Screw	2x
8	M6 x 20 mm DIN 6921 Screw	2x
9	M8 x 14 mm DIN 7991 Screw	4x
10	3 x 16 mm Lock Screw	1x

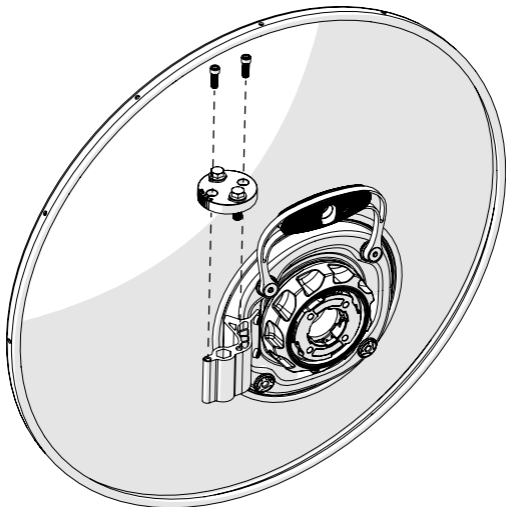
## Installation Guide



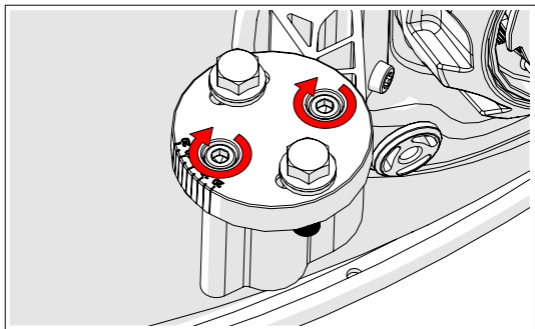
Use 5 mm Hex Key when assembling the UltraDish™ Base

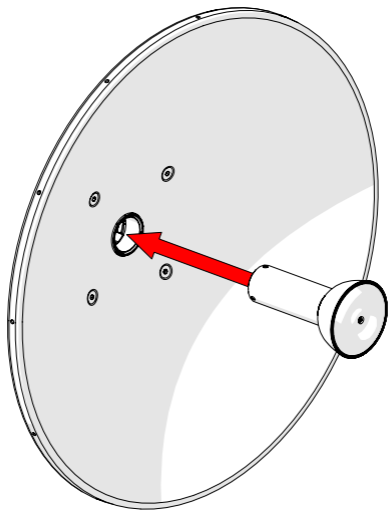


## Installation Guide

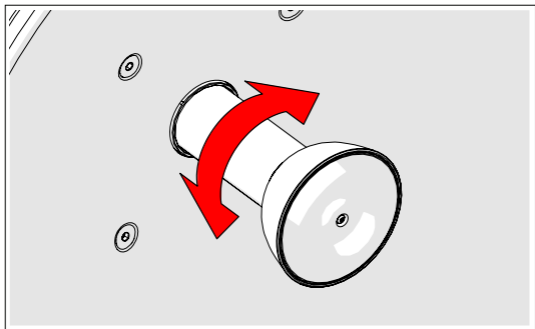


Use 5 mm Hex Key when assembling the Bracket Ring UBR

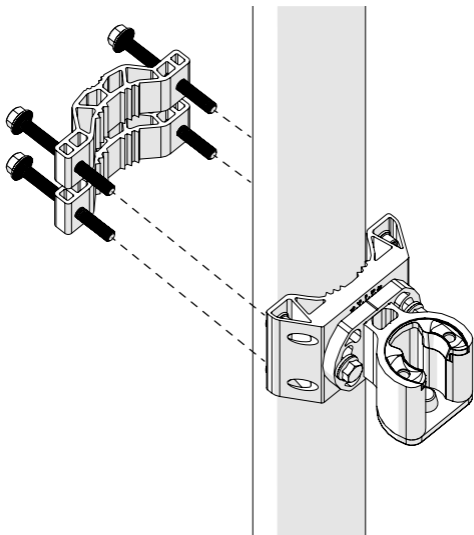




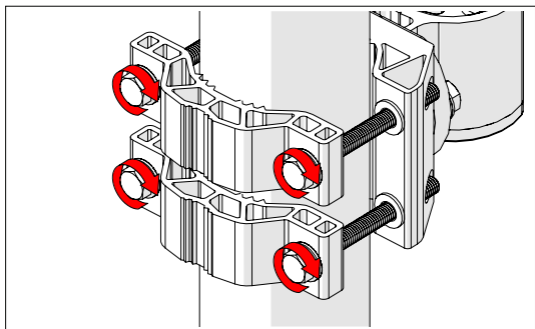
Continue turning the Subreflector in either direction until the spring latch engages.



## Installation Guide

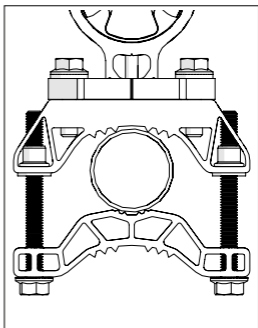
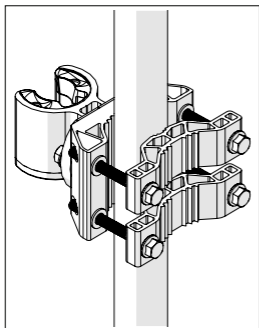


Use 13 mm Ratchet Wrench when assembling the Bracket.

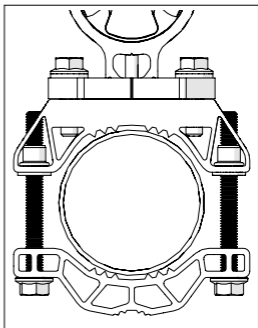
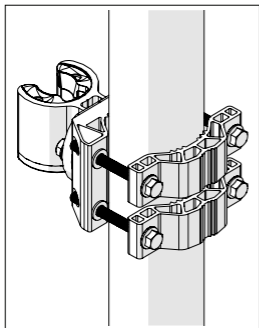


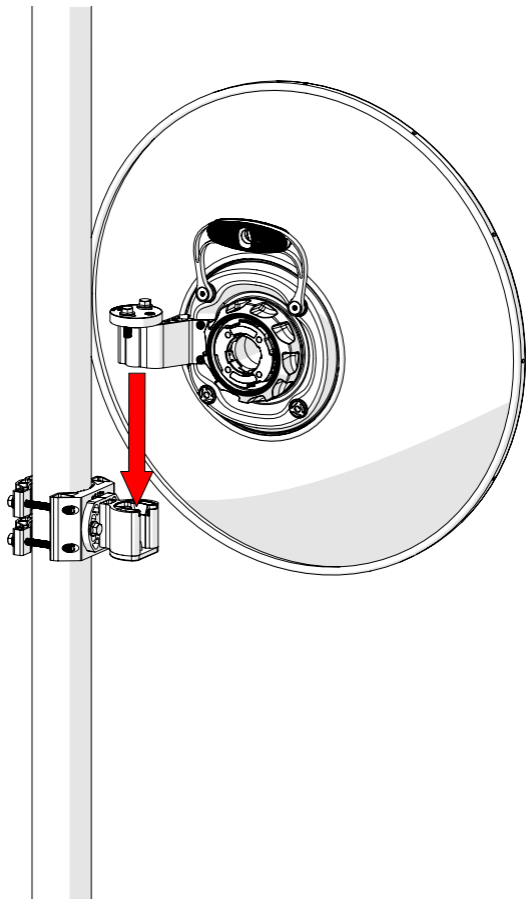
## Installation Guide

Install the Pole Mount Bracket as shown for pole diameter range **40 - 57 mm**.

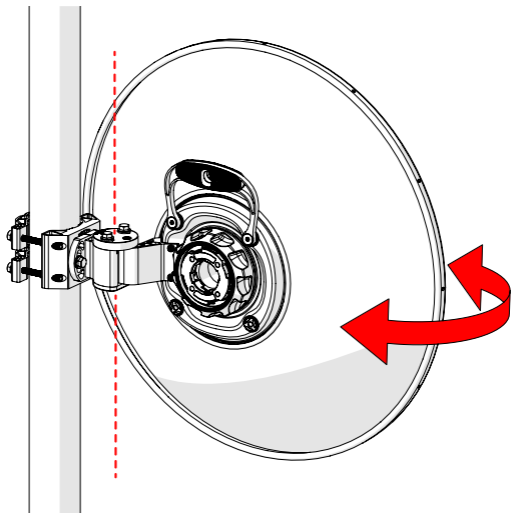


Install the Pole Mount Bracket as shown for pole diameter range **58 - 80 mm**.

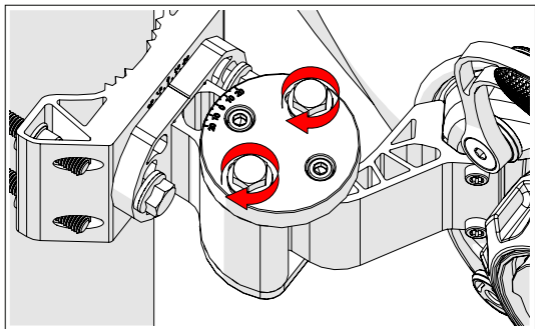




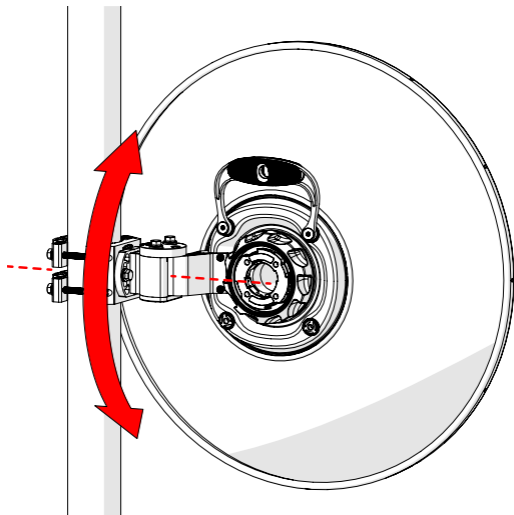
## Installation Guide



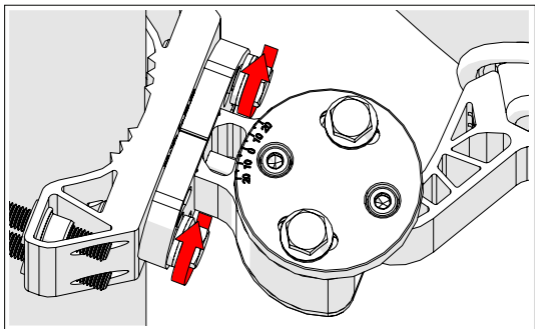
Use 13 mm Ratchet Wrench when tightening the azimuth bolts.



## Installation Guide

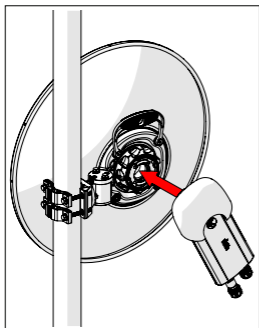


Use 13 mm Ratchet Wrench when tightening the elevation bolts.

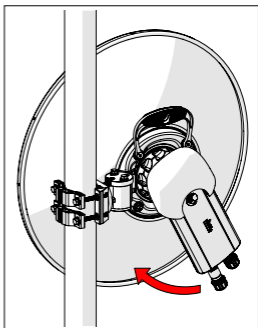


## Radio Installation Guide

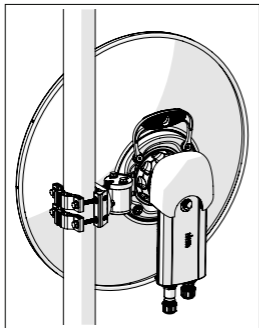
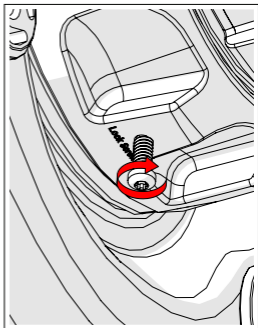
1



2



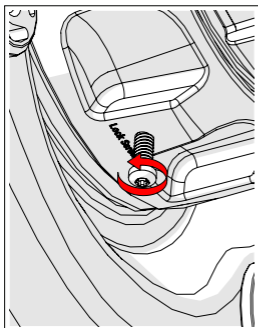
3

4 **Optional:** Install the 3 x 16 locking screw.

Tighten the locking screw to secure the TwisPort™ lock mechanism.

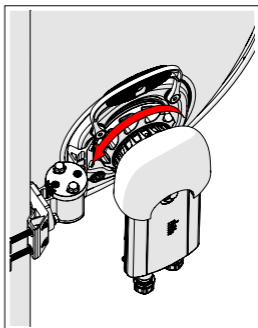
## Radio Uninstallation Guide

1 If the locking screw was used,

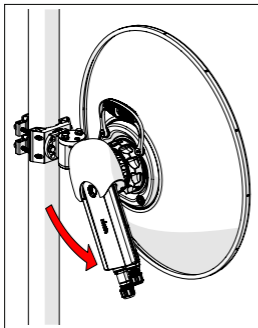


unscrew it by about 10 mm before unlocking the TwisPort™ mechanism.

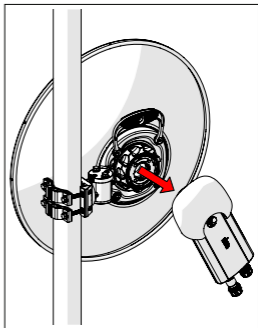
2



3



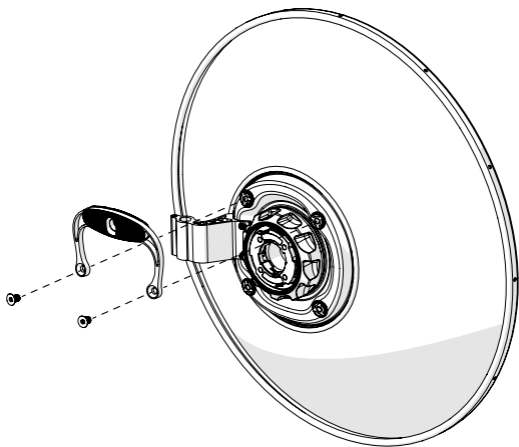
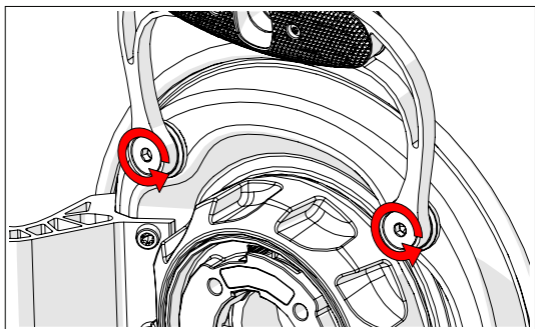
4



## Pre - Installation

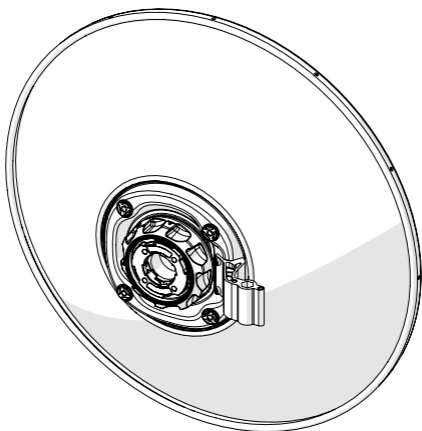
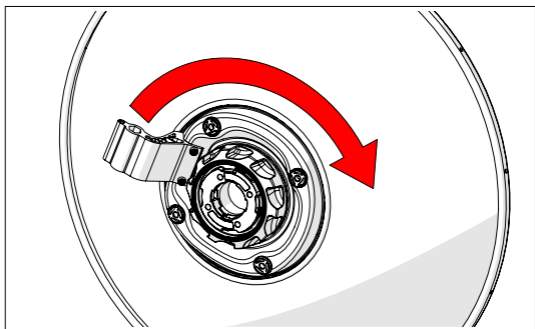
**Optional:** Right side of the pole mounting.

Use 5 mm Hex Key to enable the Handle



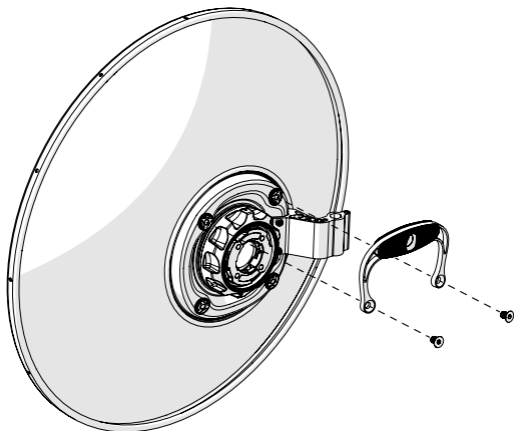
## Pre - Installation

**Optional:** Right side of the pole mounting.

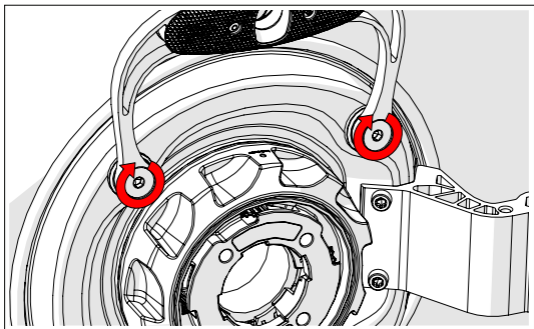


## Pre - Installation

**Optional:** Right side of the pole mounting.



Use 5 mm Hex Key to secure the Handle in position.



RF elements®, TwistPort™ and SIMPER™ are trademarks  
of RF elements s.r.o., Slovakia.  
All rights of trademark owners reserved.



RF elements s.r.o.  
+421 2 7333 7733  
[info@rfelements.com](mailto:info@rfelements.com)  
[www.rfelements.com](http://www.rfelements.com)