

# Asymmetrical Horn™ 45°

## COMPACT 5 GHz ASYMMETRICAL HORN ANTENNA

HG4-CC-A45 provides unique set of features. It combines a compact form factor with asymmetrical beam pattern, providing increased gain, standard coaxial N Female connectors, and a new advanced, corrosion resistant mounting system.

HG4-CC-A45 excels in environment where space is limited, such as dense cluster deployments or micro-PoPs. Asymmetrical beam pattern provides 17dBi of gain together with excellent noise immunity. Antenna is very compact, lightweight and easy to install thanks to UBR mount and integrated handle.



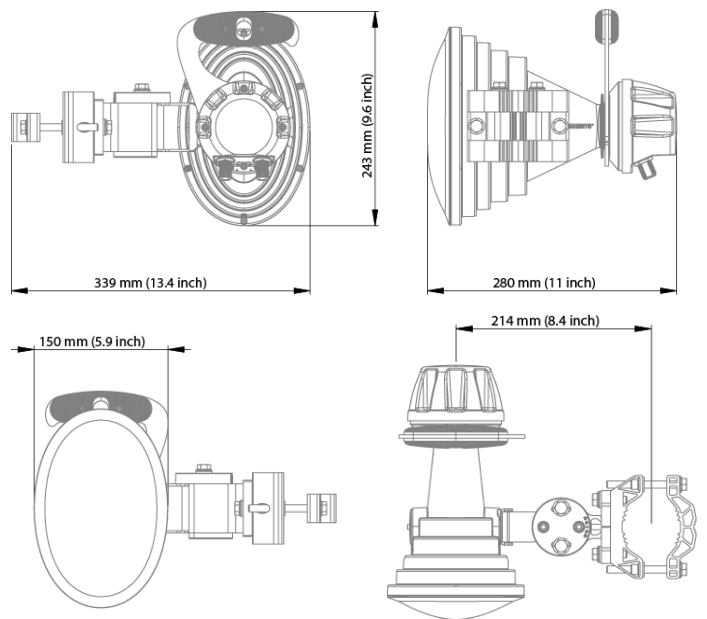
### TECHNICAL DATA

Antenna Connection	2x N Female
Antenna Type	Asymmetrical Horn
Materials	UV Resistant ABS Plastic, Polyethylene, Aluminum, Stainless Steel
Environmental	IP55
Flame Rating	UL 94 HB
Pole Mounting Diameter	30-80 mm (1.1-3.1 inch) Recommend as close to 80 mm (3.1inch) as possible
Temperature	-30°C to +55°C (-22°F to +131°F)
Wind Survival	180 km/h (110 mph)
Wind Load	30/41 N - Front/Side at 160 km/h (100 mph)
Effective Projected Area	247/335 cm <sup>2</sup> - Front/Side (38.3/51.9 inch <sup>2</sup> )
Mechanical Tilt	± 25°
Weight	Product: 2.63 kg / 5.8 lbs Retail Box: 3.66 kg / 8 lbs Carton: 20 kg / 44 lbs
Single Unit	Retail Box: 315 x 255 x 255 mm / 12.4 x 10 x 10 inch
5 Units	Carton Box: 1290 x 335 x 285 mm / 50.8 x 13.2 x 11.2 inch

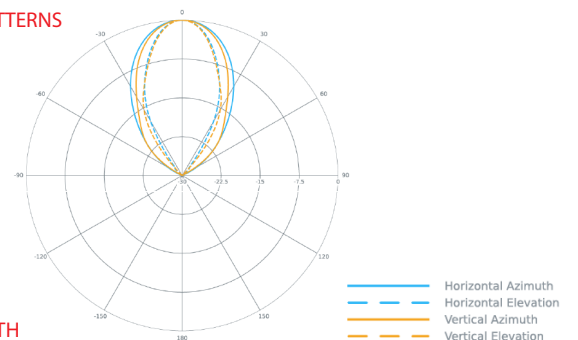
### PERFORMANCE

Frequency Range	5150 - 6400 MHz
Gain	17 dBi
VSWR	≤ 1.6
Azimuth Beam Width -3 dB	H 31° / V 30°
Elevation Beam Width -3 dB	H 21° / V 20°
Azimuth Beam Width -6 dB	H 44° / V 45°
Elevation Beam Width -6 dB	H 30° / V 29°
Beam Efficiency	90 %
Front-to-Back Ratio	30 dB

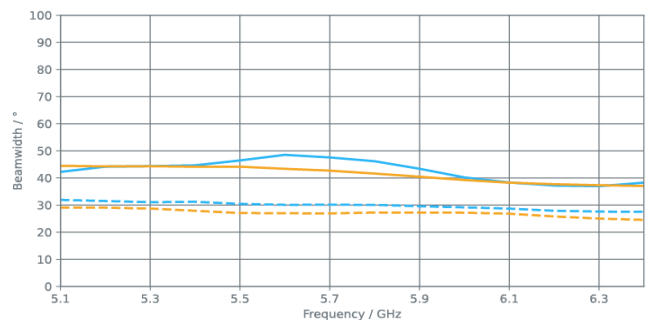
### PRODUCT DIMENSIONS



### POLAR PATTERNS



### BEAMWIDTH



### GAIN

