

StationBox® ALU-Mini

IP55 ALUMINIUM OUTDOOR ENCLOSURE

SBX-AM is compact premium outdoor enclosure for IoT devices and wireless platforms. SBX-AM is made of cast aluminium. The robust, full-metal construction is geared towards excellent environment resistance. The slick mounting mechanism allows installation of SBX-AM on a pole or wall.

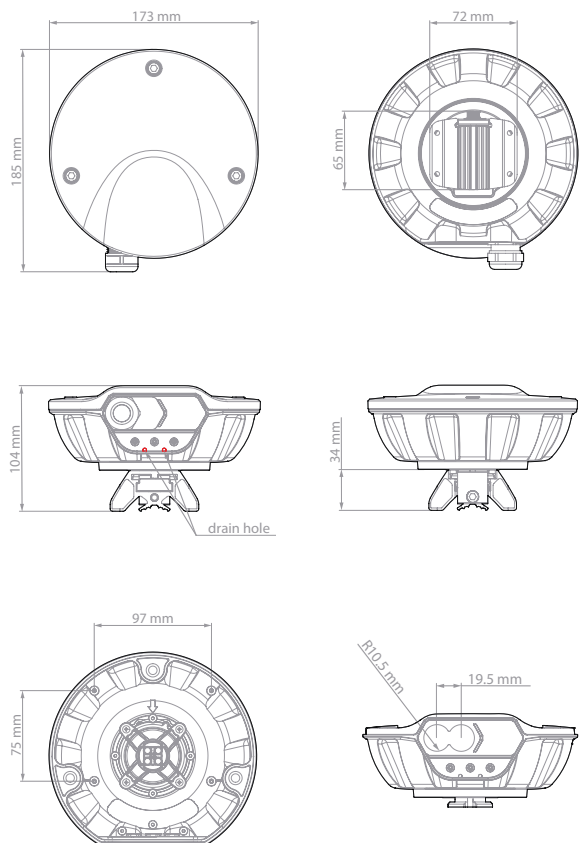
SBX-AM is designed for solution builders. 3D data set allows for easy DIY mounting plate design, 3D printing or easy electronics PCB layout customization.



TECHNICAL DATA

Connectors	1 cable gland M20
Materials	Body - Aluminium Alloy Bracket - Aluminium Alloy Hardware - Stainless Steel
Temperature	-40°C to +60°C (-40°F to +140°F)
Wind Survival	160 km/h
Environment Resistance	IP55, IP66*
Mounting Diameter	20-75 mm (we recommend as close to 75mm as possible)
Weight	0.78 kg / 1.7 lbs – single unit 0.93 kg / 2.0 lbs – single unit incl. package 19.8 kg / 43.6 lbs – carton (20 units)
Single Unit	Retail Box: 192 x 177 x 90 mm / 7.5 x 6.9 x 3.5 inch
20 Units	Carton Box: 920 x 380 x 220 mm / 36.2 x 15.0 x 8.7 inch

PRODUCT DIMENSIONS



COMPATIBLE PLATFORMS

Download 3D data on product website

PACKAGE CONTENTS

- StationBox® ALU-Mini
- Mounting Bracket
- Blind Plate
- Hose Clamp
- 2x Screw M3 x 10 mm
- 4x Screw 3,5 x 45 mm with Wall Plug

*IP66 rating can be achieved by sealing the drain hole