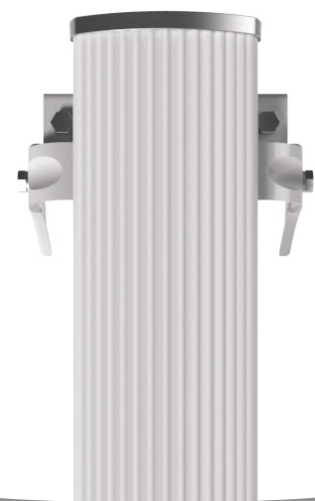




LigoWave

LigoDLB 5-90-17 PRO  
LigoDLB 5-90-17ac PRO  
LigoDLB 5-90-20ac PRO  
LigoDLB 5-90-20 PRO

### INSTALLATION



### Package content

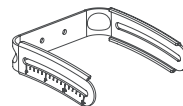
LigoDLB  
5-90-20 PRO

LigoDLB  
5-90-20ac PRO

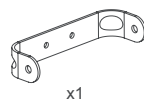


LigoDLB  
5-90-17 PRO

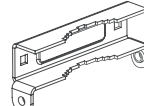
LigoDLB  
5-90-17ac PRO



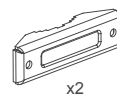
x1



x1



x2



x2



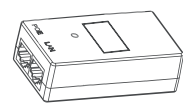
x4



x8



x4

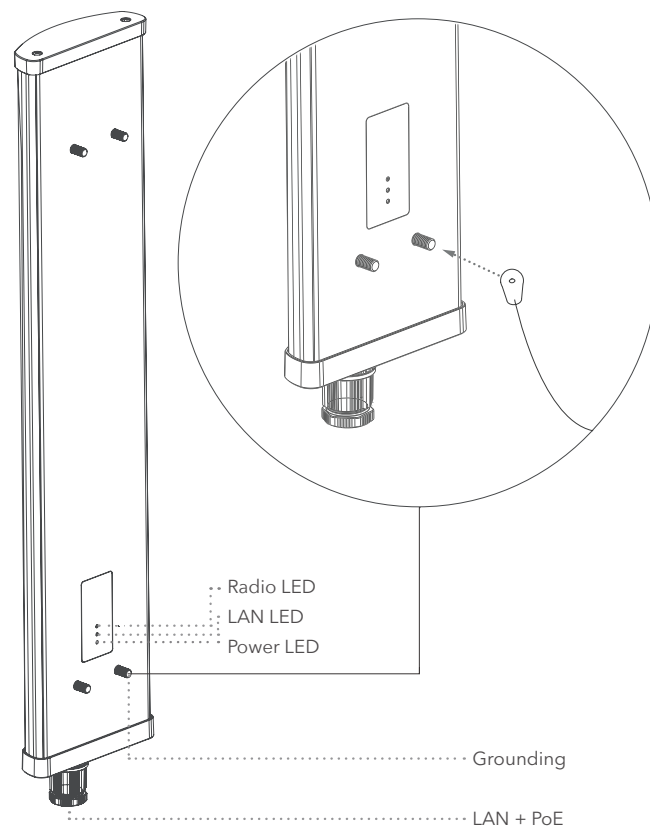


x1



x1

### Overview

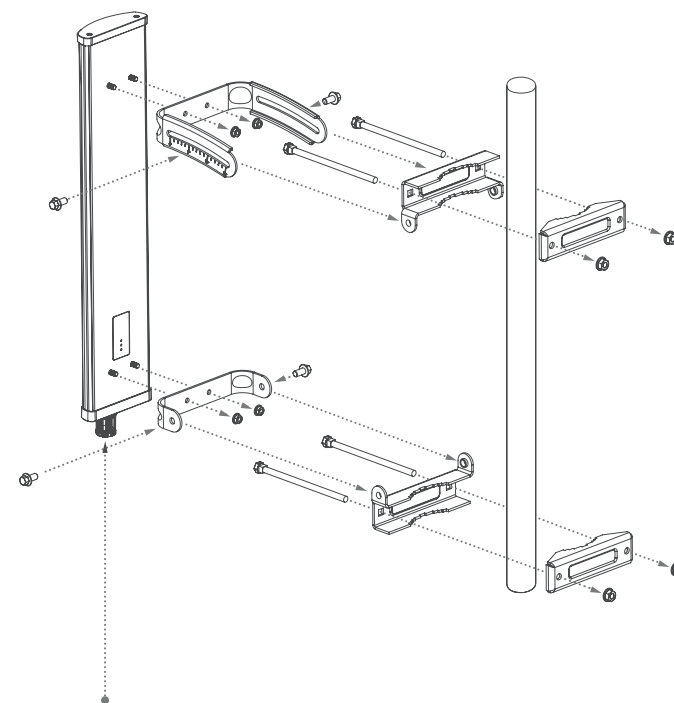


Radio LED  
LAN LED  
Power LED

Grounding

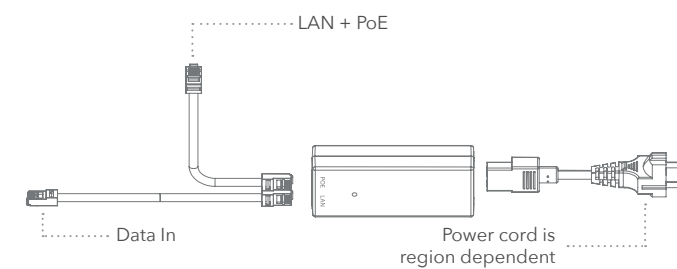
LAN + PoE

### Mounting



Device cable gland must be positioned vertically downwards to protect it against water ingress.

### PoE connection



### LED indication

Radio	Green	Radio interface is active
	Off	No activity on Radio interface
LAN	Green	1000 Mbps traffic on LAN interface
	Yellow	10/100 Mbps traffic on LAN interface
	Off	No LAN connection
Power	Green	Unit is active / working
	Off	No power on unit.

