

UAV-D04JAI

Defender-Series Unmanned Aerial Vehicle Jammer

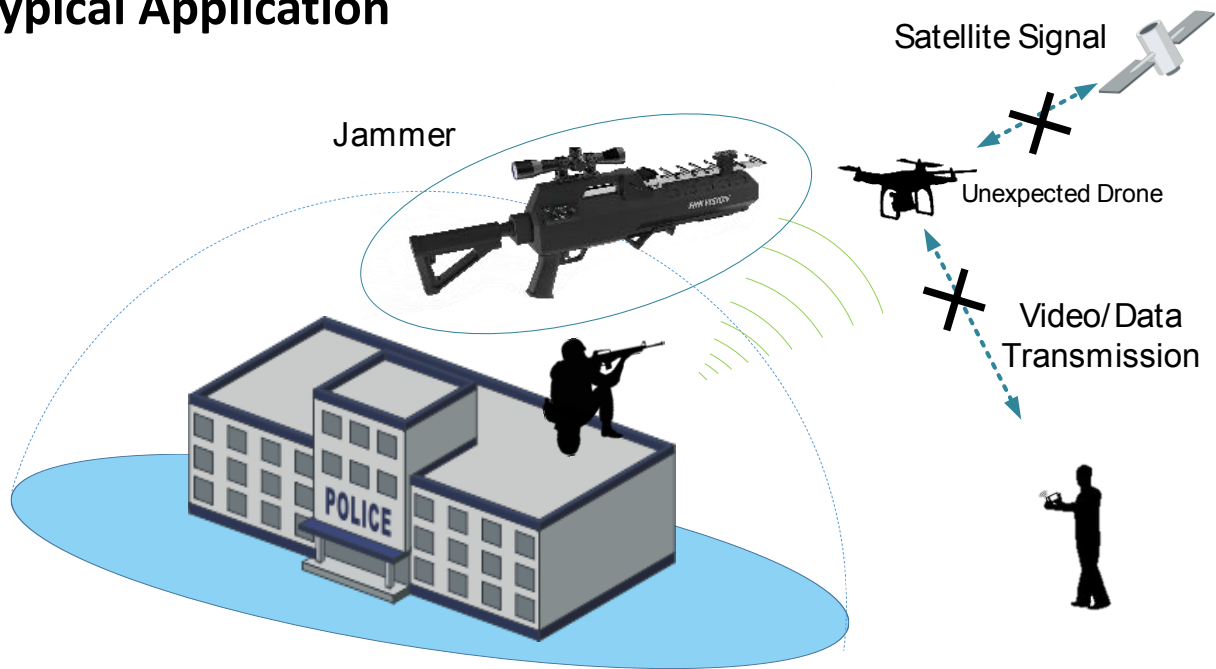


UAV-D04JAI unmanned aerial vehicle (UAV) jammer is designed to provide protection against unexpected drone invasion. It cuts off the communication between the drone and remote controller by jamming the data link and positioner. The jammer makes the unexpected drone hover, land, or leave to ensure the security of low-altitude airspace. This product is small in size and light in weight, easy to operate and carry.

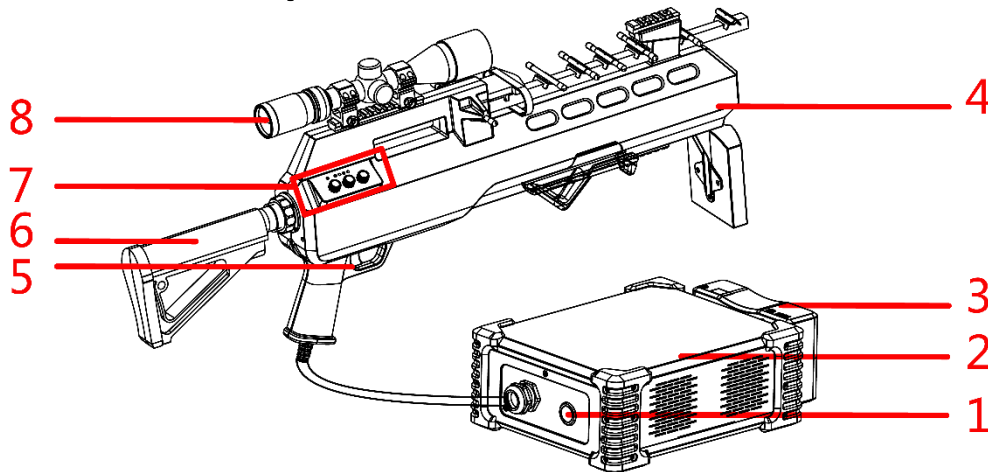
Key Features

- Multi-band frequency Jamming, including major frequency range of UAV
- Wide Field of Jamming, no Accurate Aiming Required
- Over 1000 meters Range of Jamming when the full output power, Adjustable Transmitting Power
- Replaceable Li-Po Battery Power Supply and Power Adapter for Selection
- Separated Host and Antenna, Multifunctional Backpack, Available for one Staff
- Threaded Hole for Installing Tripod
- Up to 9X Zoom Ratio Telescope for Aiming at Target in the Air
- Ergonomic Design, Easy for Operation

Typical Application



Appearance Description



No.	Name	Function
1	Power Adapter Interface	Connect to the Power Adapter
2	Jammer Host	Control Center
3	Battery	Power on the Device
4	Antenna	Emit the Interference Signal
5	Radio Frequency Switch	Radio Frequency On/Off
6	Stock	Auxiliary Use
7	RF (Radio Frequency) Indicator	Power Indicator; Radio Frequency Status Indicator
	Power Status Indicator	Battery/Power Input Status
	Power On/Off Knob	Power On/Off
	Mode Knob	D (Driving Out): Drive Out Mode L (Landing): Force Landing Mode
	Power Adjusting Knob	Adjust Interference Signal Power
8	Telescope	Long-Distance Observation

Available Model

UAV-D04JAI

Specifications

<i>Radio Frequency</i>	
Effective Range	GNSS(GPS/GLONASS/Galileo L1, BeiDou B1), 2.4G, 5.8G
Output Power	Max. 39.5dBm(1.5GHz)/50.5dBm(2.4GHz)/48.5dBm(5.8GHz) Three levels adjustable: 1/4, 1/2, and full power
Beam Width	H: 48°, V: 40° (1.5GHz) H: 29°, V: 25° (2.4GHz) H: 40°, V: 30° (5.8GHz)
Effective Jamming Distance	≥1000m
<i>System</i>	
Power Consumption	Approx. 100W
Weight	Base station: 3.5 kg (7.72 lb) Antenna: 3.0 kg (6.61 lb) Battery: 0.9 kg (1.98 lb)
Battery Time of Endurance	≥ 10 h (at normal capacity) ≥ 1.5 h (at full capacity)
Telescope Zoom Ratio	Up to 9X Zoom Ratio (Adjustable)
Dimensions	Host: 315mm × 230mm × 96.5mm (12.4" × 9.06" × 3.80")
	Antenna: 871 mm × 341.6 mm × 148.1 mm (34.30" × 13.45" × 5.83")
Operating Temperature	-20°C to 55°C (-4°F to 131°F)