

# 60° Asymmetrical Horn Antenna

## HORN ANTENNA WITH WIDEBAND PERFORMANCE COVERING 5 GHZ AND 6 GHZ UNLICENSED BANDS

60° Asymmetrical Horn Antennas have asymmetrical beam patterns with highly suppressed sidelobes. They offer excellent noise rejection and supreme scalability options. They are perfect for high-density AP clusters and dense co-location deployments.

### Ultimate Wideband Performance

AH60WB provides unmatched wideband performance covering entire 5 & 6 GHz unlicensed with balanced H+V beams, stable gain and stable radiation patterns across entire working band. AH60WB is equipped with TwistPort™ waveguide connector allowing for connection directly to waveguide ported radios or use TP Adaptor (TPA) to convert common coaxial connectors to a waveguide.

### New Innovative Design

AH60WB has completely new industrial design and is built using highly resistant materials:

- Built of high grade aluminum for extreme outdoor resistance such as harsh salt water environment
- Extremely light weight for reduced tower load and more compact for reduced EPA and wind load
- Robust aluminum structural ring to increase strength and stability with UBR mounting bracket
- UBR mounting bracket with stainless steel hardware with anti-seize coating
- Industry leading ergonomics with integrated handle for easy deployment



### TECHNICAL DATA

Radio Connection	TwistPort™ Waveguide Connector
Antenna Type	Horn
Materials	Aluminium, Stainless Steel, ABS, PMMA, Zinc Alloy
Environmental	IP65
Pole Mounting Diameter	40-80 mm (1.5-3.1 inch) Recommended as close to 80 mm (3.1 inch) as possible
Temperature	-35°C to +60°C (-31°F to +140°F)
Wind Survival	160 km/h (100 mph)
Wind Load	29/107 N - Front/Side at 160 km/h (100 mph)
Effective Projected Area	241/881 cm <sup>2</sup> - Front/Side (37.4/136.6 in <sup>2</sup> )
Mechanical Adjustment	± 20° Elevation, ± 20° Azimuth
Weight	2.8 kg / 6.2 lbs – single unit 3.8 kg / 8.4 lbs – single unit incl. package
Single Unit	Retail Box: 525 × 420 × 180 mm (20.7 × 16.5 × 7 inch)

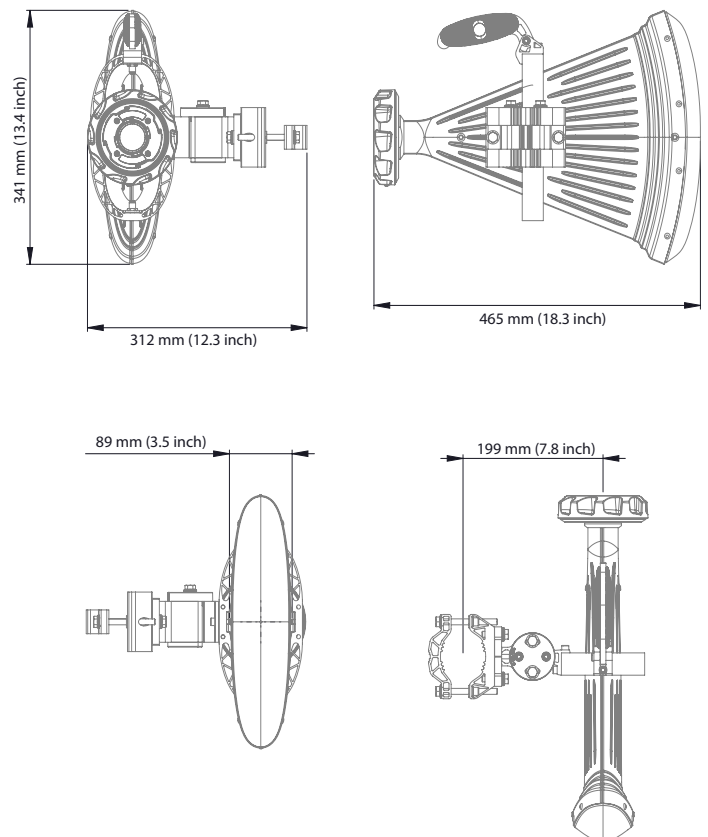
### PERFORMANCE

Frequency Range	4900 - 7125 MHz
Gain	16 dBi
Azimuth Beam Width -3 dB/-6dB	H 42°, V 42° / H 63°, V 63°
Elevation Beam Width -3 dB/-6dB	H 16°, V 17° / H 26°, V 25°
Beam Efficiency	96 %*
Front-to-Back Ratio	27 dB
VSWR	<1.8
Polarization	Dual Linear H + V
Impedance	50 Ohm

\* Beam efficiency defined up to first null



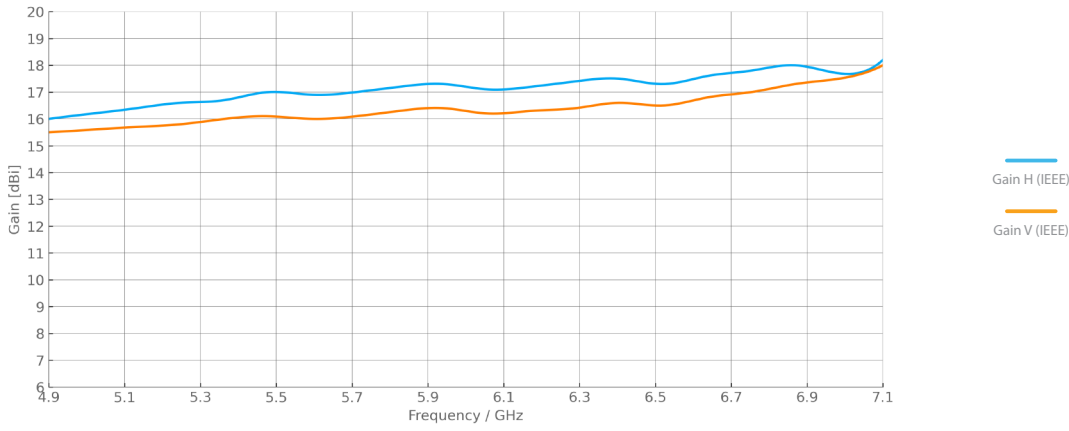
### PRODUCT DIMENSIONS



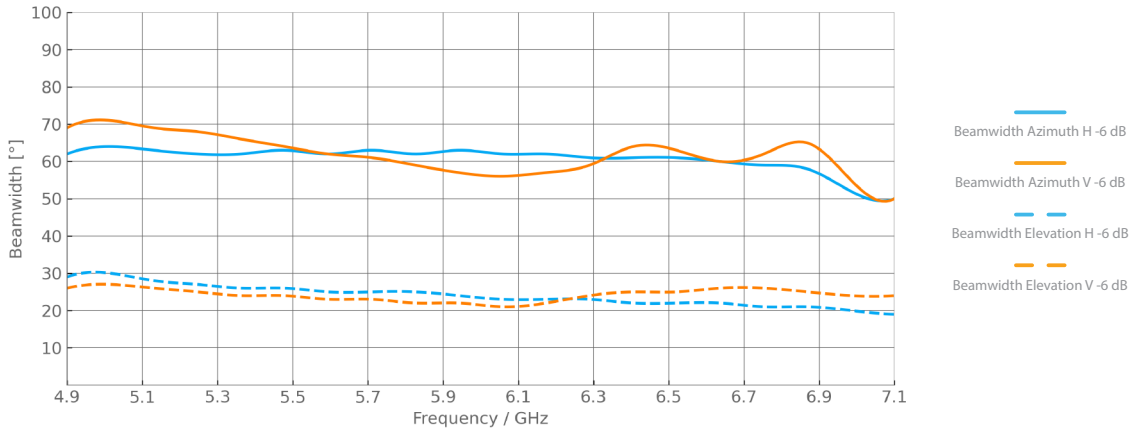
**ANTENNA GAIN**

**Antenna Nominal Gain with Waveguide Port**

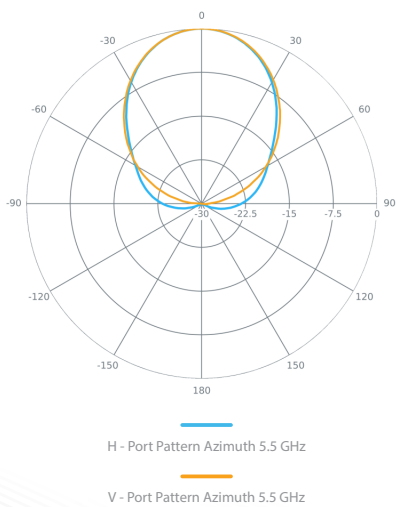
This graph demonstrates the maximum achievable gain of the antenna in boresight with an ideal waveguide port.



**ANTENNA BEAMWIDTH**



**AZIMUTH PATTERN**



**ELEVATION PATTERN**

