



Enterprise Audio/Video XG 24 PoE

EAV-XG-24-PoE

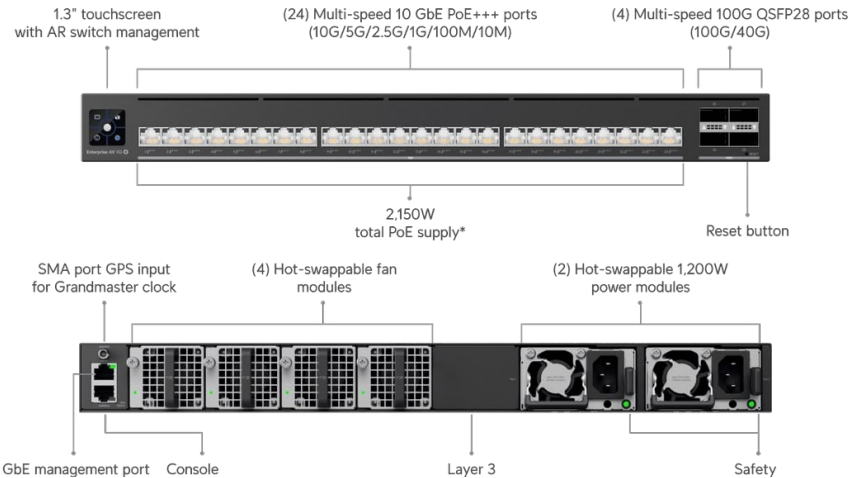
Datasheet

In The Box

Marketing Images

Accessories

Installation Guide

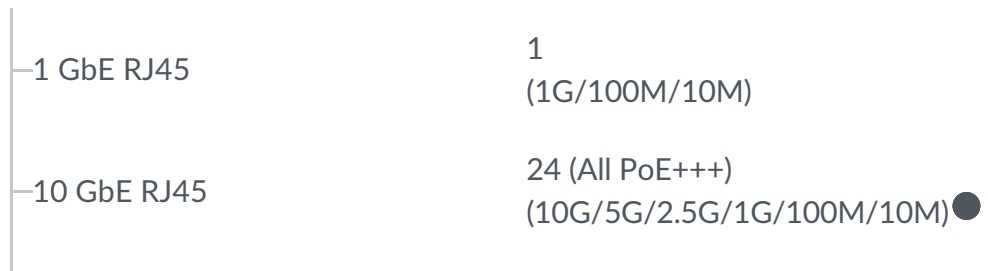


Overview

Dimensions

442.4 x 480 x 43.7 mm
(17.4 x 18.9 x 1.7")

Port Layout

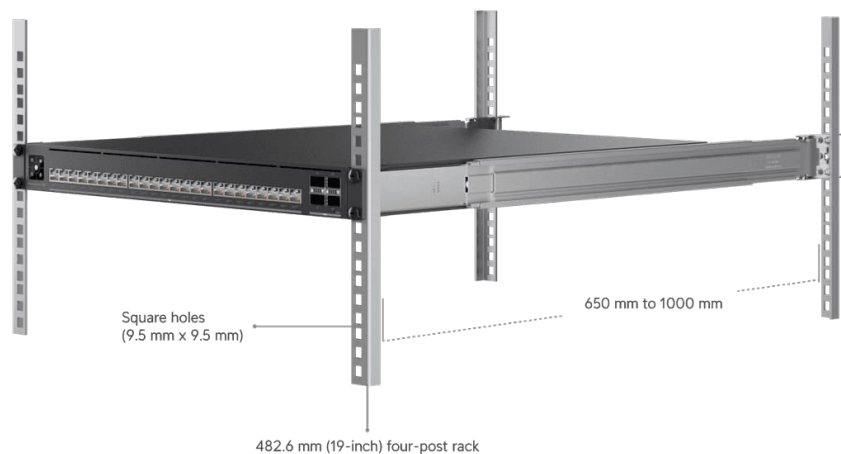
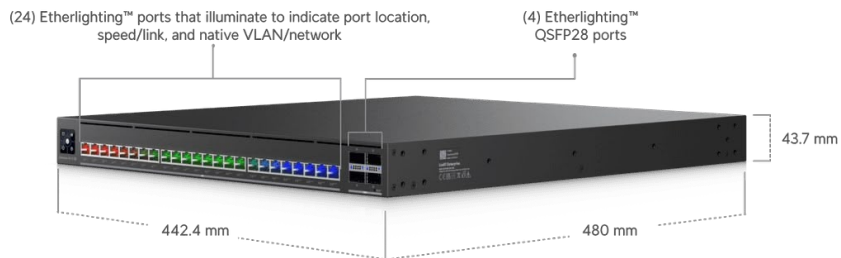


(1G/100M/10M) port

switching features

latches

*With 200-240V AC in Shared Mode. Total available PoE is 1,850W with 100-120V AC in Shared Mode and 950W/750W in Redundant Mode with 200-240V/100-120V AC.



Note: Rack not included. Product requires a 4-post rack, or a center-mount bracket or cantilever shelf on 2-post racks for optimal support.

100G QSFP28

Console

SMA

4 (100G/40G) ●

1

1 ●

Max. PoE Output

Up to PoE+++

Total PoE Availability

200-240V AC Shared Mode: 2,150W with (2) 1,200W modules

100-120V AC Shared Mode: 1,850W with (2) 1,200W modules

200-240V AC Redundant Mode: 1,050W with (2) 1,200W modules

100-120V AC Redundant Mode: 850W with (2) 1,200W modules

Redundancy

(2) Hot-Swappable PSUs

(4) Hot-Swappable Fans

Layer 3

✓

Form Factor

Rack Mount (1U, Full-Depth) ●

Etherlighting™

✓

^ Performance

Switching Capacity

1,280 Gbps

Total Non-Blocking Throughput

640 Gbps

Forwarding Rate

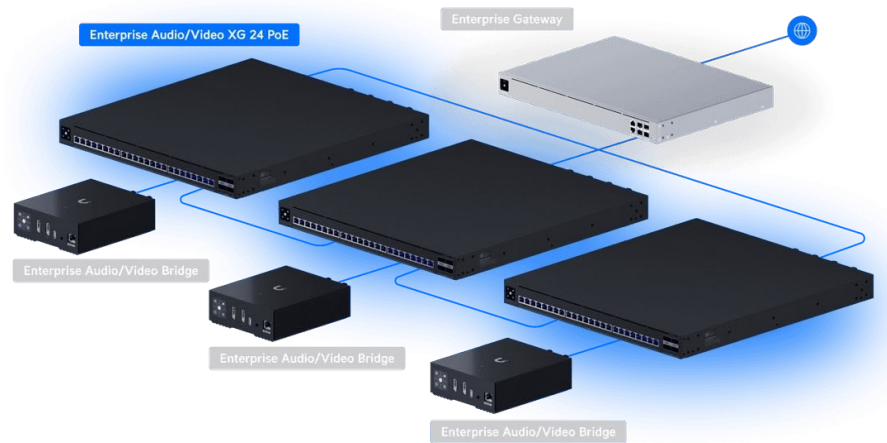
810 Mpps

Supported VLANs

1,000

MAC Address Table Size

32,000



IPv4 Static Routes	512
Packet Buffer Size	8 MB
Access Lists	
IPv4	256
MAC	256

^ Layer 3 Features

DHCP Server (Local Networks)	✓
DHCP Relay	✓
Inter-VLAN Routing (Local Networks)	✓
Static Routing (Local Networks)	✓

^ Layer 2 Features

LACP Port Aggregation	✓
STP & RSTP	✓
QoS (DSCP)	✓
PTPv2	✓ ●
Pro AV Profiles (Play, Dante, Q-SYS, NDI, SDVoE, Shure, AES67, Crestron)	✓
Advanced IGMP Configuration (Querier, Fast Leave, Router Port)	✓
IGMP Snooping	✓

802.1X Control	✓
MAC-Based ACLs & Device Isolation	✓
DHCP Snooping & Guarding	✓
Egress Rate Limit	✓
Flow Control	✓
Storm Control	✓
Multicast & Broadcast Rate Limiting	✓
MAC Address Blocking	✓
IP-Based ACLs & Network Isolation	✓
MAC-Based Port Restriction	✓
Port Isolation	✓
Port Mirroring	✓
Jumbo Frames	✓
LLDP-MED	✓
Voice VLAN	✓
Loop Protection	✓
Virtual Network Override	✓

^ **Hardware**

PoE Ports

└ PoE+++

24

Max. PoE Wattage per Port by PSE

PoE	15.4W
PoE+	30W
PoE++	60W
PoE+++	90W

Max. Power Consumption 150W (Excluding PoE Output)
2,400W (Including PoE Output)

Power Method (2) Universal input, 100–240V AC,
50/60 Hz

Power Input Method (2) AC input, Hot-swappable power
modules

Power Supply (2) Hot-swappable AC/DC 1,200W
power modules

Supported Voltage Range 100–240V AC

Management Ethernet
AR
Serial Console

Heat Dissipation 512 BTU/hr (Excluding PoE Output)

Weight Without mounting brackets: 9.85 kg
(21.7 lb)
With mounting brackets: 9.95 kg (21.9
lb)

Enclosure Material SGCC steel

Mount Material SGCC steel

Supported Rack Depth	482.6 mm (19") four-post racks Posts depths ranging from 650 to 1,000 mm (25.6–39.4")
LCM Display	1.3" touchscreen
Fan Method	(4) Hot-swappable fan modules ●
ESD Protection	Air: ± 2KV, contact: ± 8KV
Ambient Operating Temperature	-5 to 40° C (23 to 104° F)
Ambient Operating Humidity	10 to 90% noncondensing
Etherlighting™	
Ethernet	✓
QSFP28	✓
LEDs	
Ethernet	✓
PSU	✓
Fan	✓
NDAA Compliant	✓
Certifications	CE, FCC, IC

Company

[Blog](#)

[Case Studies](#)

[Careers](#)

[Trust Center](#)

[Contact Us](#)

[Investors](#)

[Compliance](#)

Training

[Courses](#)

[Calendar](#)

[Trainers](#)

[Become a Trainer](#)

Buy Now

[Ubiquiti Store](#)

[Find a Distributor](#)

Tools

[WiFiman](#)

[UISP](#)

[UniFi Design Center](#)

[UISP Design Center](#)

[Downloads](#)

Stay in Touch



[Terms of Service](#) | [Privacy Policy](#) | [Legal](#) | [Cookies Settings](#)

© 2026 Ubiquiti, Inc. All rights reserved.